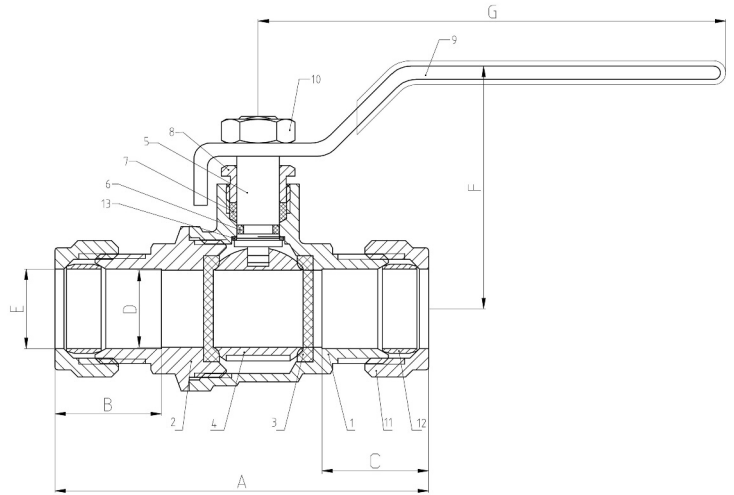


CP89LY

Brass Nickel Plated Full Bore Ball Valve c/w Standard Lever



TECHNICAL DESCRIPTION

FUNCTION

Shut-Off

SIZE RANGE

15mm - 28mm

PRESSURE RATING

PN25

TEMPERATURE RANGE

-20°C ~ 120°C (Gas MOP 5 -20 °C ~ 60 °C)

BODY MARKING

DN, PN, Batch Date, CW617N

COLOUR

Handle: Yellow

APPROVALS

WRAS

Gas EN331:1998+A1:2010

MATERIAL CONSTRUCTION AND SPECIFICATION

- | | |
|----------------------|---------------------------------------|
| 1. BODY: | CW617N Brass Nickel Plated |
| 2. BONNET: | CW617N Brass Nickel Plated |
| 3. SEAT: | PTFE |
| 4. BALL: | CW617N Brass Chrome Plated (Polished) |
| 5. STEM: | CW617N Brass Nickel Plated |
| 6. O-RING: | VITON |
| 7. PACKING: | PTFE |
| 8. LOCK NUT: | HPb59-T Brass |
| 9. HANDLE: | Q235 Chrome Plated and PVC Sleeve |
| 10. NUT: | Stl/Stl (White Zinc Plating) |
| 11. COMPRESSION NUT: | HPb59-T Brass |
| 12. OLIVE: | H62 Brass |
| 13. GASKET: | PTFE |

CONNECTION

Compression x Compression (EN1254-2)

DIMENSIONS (mm)

SIZE	15mm	22mm	28mm
CODE	CP89LY-C15	CP89LY-C22	CP89LY-C28
A	70.5	82	91
B	26	29	30
C	20	22	24
ØD	14.5	19	24.5
E	15	22	28
F	47	52	65
G	88	100	125
PN	25	25	25
Kv			
WEIGHT(g)	232	341	567
PACKING	12/48	9/36	6/24